

K-No.: 26904

100 A Current Sensor

For the electronic measurement of currents:
DC, AC, pulsed, mixed with a galvanic isolation
between the primary circuit (high power) and the
secondary circuit (electronic circuit)



Date: 06.07.2023

Customer: Standard Type

Customers Part no:

Page 1 of 3

Description

- Closed loop (compensation) Current Sensor with magnetic probe
- Printed circuit board mounting
- Casing and materials UL-listed

Characteristics

- excellent accuracy
- very low offset current
- very low temperature dependency and offset current drift
- very low hysteresis of offset current
- short response time
- wide frequency bandwidth
- compact design
- reduced offset ripple

Applications

Mainly used for stationary operation in industrial applications:

- AC variable speed drives and servo motor drives
- static converters for DC motor drives
- Battery supplied applications
- Switched Mode Power Supplies (SMPS)
- Power supplies for welding applications
- Uninterruptable Power Supplies (UPS)

Electrical data - Ratings

I_{PN}	Primary nominal RMS current	100	A
V_{OUT}	Output voltage @ I_{PN}	$V_{REF} \pm (0.625 * I_P / I_{PN})$	V
V_{OUT}	Output voltage @ $I_P=0A, \vartheta_A=25^\circ C$	$V_{REF} \pm 0.001$	V
V_{REF}	External Reference voltage range	0 ... 4	V
	Internal Reference voltage	2.5 ± 0.005	V
K_N	Transformation ratio	1...2 : 1100	

Accuracy – Dynamic performance data

		min.	typ.	max.	Unit
$I_{P,max}$	Max. measuring range	± 270			A
X	Accuracy @ $I_{PN}, \vartheta_A=25^\circ C$			± 0.7	%
ϵ_L	Linearity			± 0.1	%
$V_{OUT}-V_{REF}$	Offset voltage @ $I_P=0A, \vartheta_A=25^\circ C$			± 1.0	mV
$\Delta V_O / V_{REF} / \Delta \vartheta$	Temperature drift of V_{OUT} @ $I_P=0A, V_{REF}=2.5V, \vartheta_A$		3	10	ppm/ $^\circ C$
t_r	Response time		<1		μs
t_{ra}	Reaction time		<1		μs
$f_{BW} (-3dB)$	Frequency bandwidth	DC...100			kHz

General data

ϑ_A	Ambient operation temperature	-40		85	$^\circ C$
ϑ_S	Ambient storage temperature (acc. to M3101)	-40		85	$^\circ C$
m	Mass		59		g
V_C	Supply voltage	4.75	5	5.25	V
I_C	Supply current at $I_P = 0A$ and RT		15		mA

$^1)S_{clear}$	Clearance (component without solder pad)	8			mm
$^1)S_{creep}$	Creepage (component without solder pad)	8			mm
$^1)U_{sys}$	System voltage			600	V_{RMS}
$^1)U_{AC}$	Working voltage			1000	V_{RMS}
$^1)U_{PD}$	Rated discharge voltage			1414	V_{PEAK}
	According to UL 508: max. potential difference			600	V_{AC}

¹⁾Constructed and manufactured and tested in accordance with IEC 61800-5-1:2007 (primary to secondary)
Basic insulation, Insulation material group 1, Pollution degree 2, Overvoltage category III

Date	Name	Issue	Amendment
06.07.2023	DJ	81	Applicable documents changed on sheet 3. „The color of the plastic material... added. Minor change
05.03.2018	KRe.	81	UL508 – certification granted. CN-18-043

Hrg.: R&D-PD NPI editor	Bearb.: DJ designer	MC-PM: KRe. check	freig.: SB released
-------------------------	---------------------	-------------------	---------------------

K-No.: 26904

100 A Current Sensor

For the electronic measurement of currents:
DC, AC, pulsed, mixed with a galvanic isolation
between the primary circuit (high power) and the
secondary circuit (electronic circuit)



Date: 06.07.2023

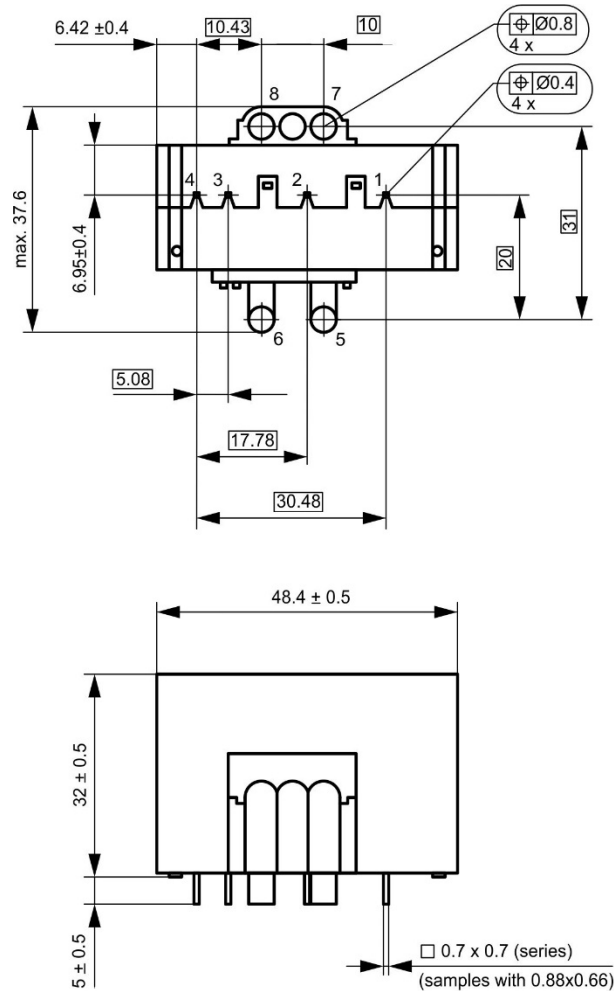
Customer: Standard Type

Customers Part no:

Page 2 of 3

Mechanical outline (mm):

General tolerances DIN ISO 2768-c



Connections:

Pins 1-4: 0.88mm x 0.66mm

Pins 5-8: ∅4.5mm

Marking:

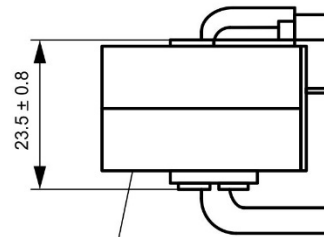
UL-sign 4647-X261
F DC

F: Factory

DC: Datecode

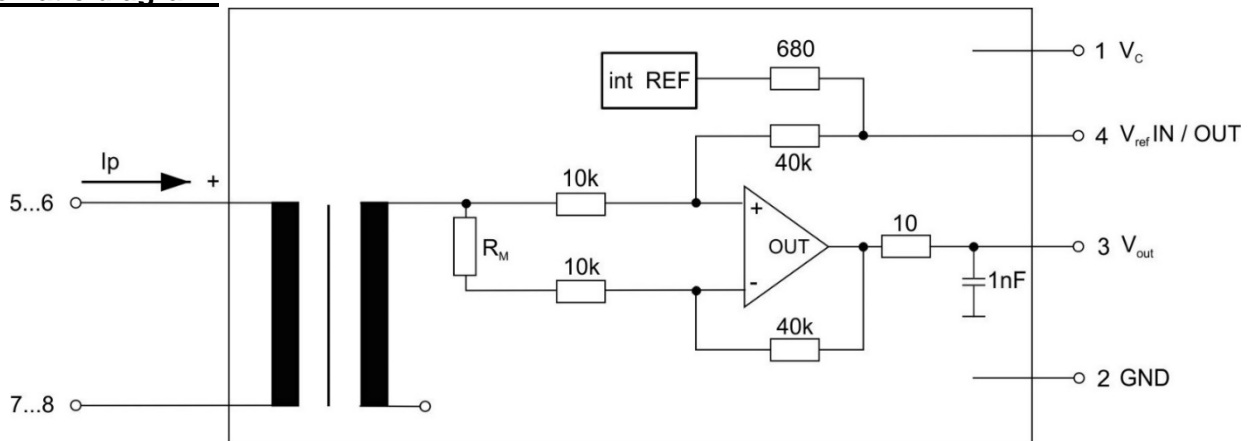
Datecode Format: [YWW]

Example: J04: 2017, Week 4



Prüfmaß
(test dimension)

Schematic diagram:



Hrg.: R&D-PD NPI
editor

Bearb.: DJ
designer

MC-PM: KRe.
check

freig.: SB
released

K-No.: 26904

100 A Current Sensor

For the electronic measurement of currents:
DC, AC, pulsed, mixed with a galvanic isolation
between the primary circuit (high power) and the
secondary circuit (electronic circuit)



Date: 06.07.2023

Customer: Standard Type

Customers Part no:

Page 3 of 3

Electrical data: (investigate by a type checking)

		min.	typ.	max.	Unit
$V_{C,tot}$	maximum supply voltage (without function)			6	V
I_c	Supply Current with primary current		$15mA + I_P * K_N + V_{OUT}/R_L$		mA
$I_{OUT,SC}$	Short circuit output current		± 20		mA
R_s	Secondary coil resistance @ $\vartheta_A = 85^\circ C$			15	Ω
R_P	Primary wire resistance @ $\vartheta_A = 25^\circ C$		0.07		m Ω
$R_{i,REF}$	Internal resistance of Reference output		680		Ω
$R_{i,Vout}$	Output resistance of V_{OUT}		10		Ω
R_L	External recommended resistance of V_{OUT}	1			k Ω
C_L	External recommended capacitance of V_{OUT}			500	pF
$X_{Ti} / \Delta\vartheta$	Temperature drift of X @ $\vartheta_A = -40^\circ C \dots 85^\circ C$			40	ppm/ $^\circ C$
$\Delta V_O = \Delta(V_{OUT} - V_{REF})$	Sum of any offset drift including:		2	5	mV
V_{Ot}	Long term drift of V_O		1		mV
V_{OT}	Temperature drift of V_O @ $\vartheta_A = -40^\circ C \dots 85^\circ C$		1		mV
V_{OH}	Hysteresis of V_{OUT} @ $I_P = 0A$ (caused by $I_P = 10 \times I_{PN}$)		0.4	0.8	mV
$\Delta V_O / \Delta V_C$	Supply voltage rejection ratio		0.1		mV/V
V_{OSS}	Offsetripple (with 1 MHz-Filter, first order)		8	20	mV _{PP}
V_{OSS}	Offsetripple (with 100 kHz-Filter, first order)		4		mV _{PP}
V_{OSS}	Offsetripple (with 20 kHz-Filter, first order)		2		mV _{PP}
C_k	Coupling capacity (primary - secondary)		10		pF
	Mechanical stress according to M3209/3 Settings: 10-2000Hz, 1min/oct, 2 hours		2		g

Routine-Tests: (Measurement after temperature balance of the samples at room temperature, SC=significant characteristic)

$V_{OUT} (SC)$	(100%) M3011/6: Output voltage		$625 \pm 0.7\%$		mV
$V_{OUT} - V_{REF}$	(100%) M3226: Offset voltage		± 1.0		mV
U_d	(100%) M3014: Test voltage, 1s		1.8		kV _{RMS}
U_{PDE} $U_{PD} * 1.875$	(AQL 1/S4) M3024: Partial discharge voltage (extinction)		1.5 1.875		kV _{RMS}

Type-Tests: (Precondition acc. to M3236)

\hat{U}_W	HV transient test acc. to M3064 (1.2 μ s / 50 μ s) 5 pulses \rightarrow polarity +, 5 pulses \rightarrow polarity -		6		kV _{PEAK}
U_d	Test voltage acc. to M3014	(5s)	3.6		kV _{RMS}
U_{PDE} $U_{PD} * 1.875$	Partial discharge voltage (extinction) acc. to M3024		1.5 1.875		kV _{RMS}

Other instructions:

- Current direction: A positive output voltage vs. V_{REF} appears at point V_{OUT} , if primary current flows in direction of the arrow sign on Sensor package.
- Temperature of the primary conductor should not exceed 105 $^\circ C$.
- Housing and bobbin material UL-listed: Flammability class 94V-0.
- Further standards: UL 508 file E317483, category NMTR2 / NMTR8
- The color of the plastic material is not specified and the current sensor can be supplied in different colors (e.g. brown, black, white, natural). This has no effect on the specifications or UL approval

Hrg.: R&D-PD NPI
editor

Bearb.: DJ
designer

MC-PM: KRe.
check

freig.: SB
released